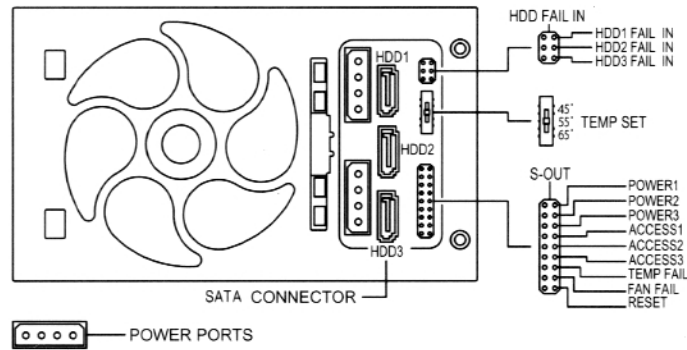
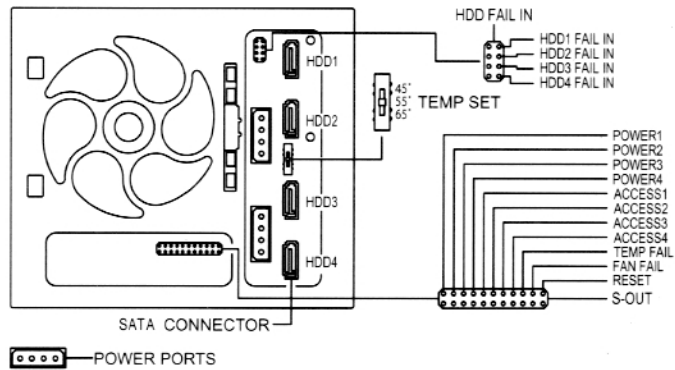


[Note] If this unit's backplane contains a 7 + 15 pin Connector please refer to the original manual.

MB453



MB454



MB455

