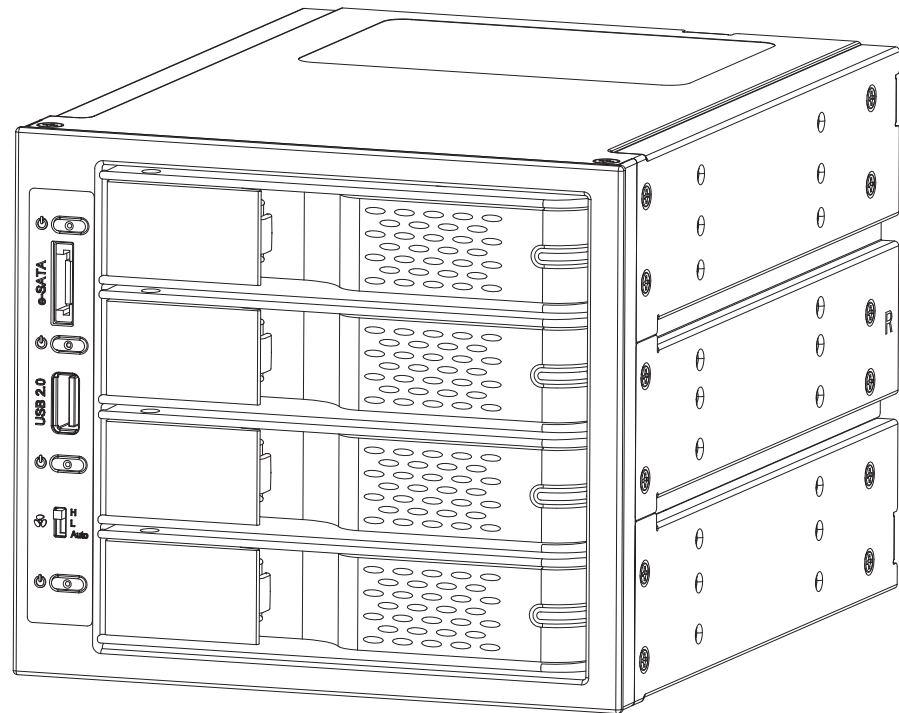


ICY DOCK®

MB974SP-B

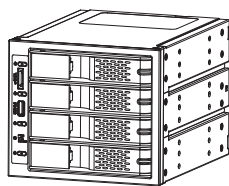
4 HDD Slots in 3 Device Bay Screw-Less SATA Backplane Module



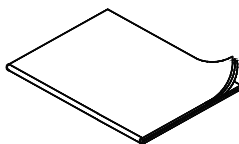
User Manual

[www icydock com](http://www.icydock.com)

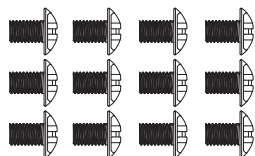
1 Package Contents



Device



User Manual



M3*6 Screws



M3*28 Screws

2 Front Panel Information

HDD1
POWER BUTTON
POWER / HDD ACCESS LED INDICATOR

eSATA Port

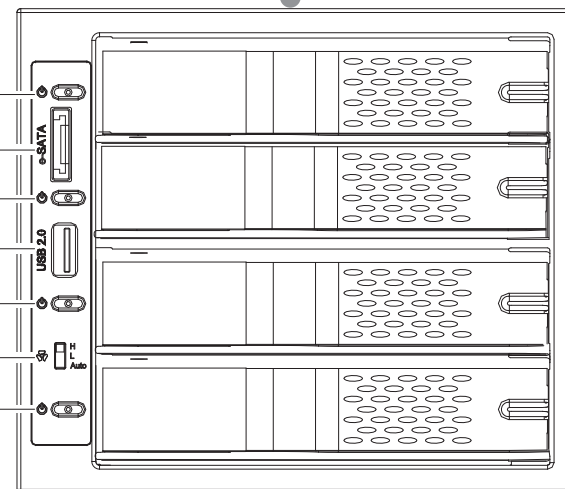
HDD2
POWER BUTTON
POWER / HDD ACCESS LED INDICATOR

USB 2.0 Port

HDD3
POWER BUTTON
POWER / HDD ACCESS LED INDICATOR

Fan Speed Control

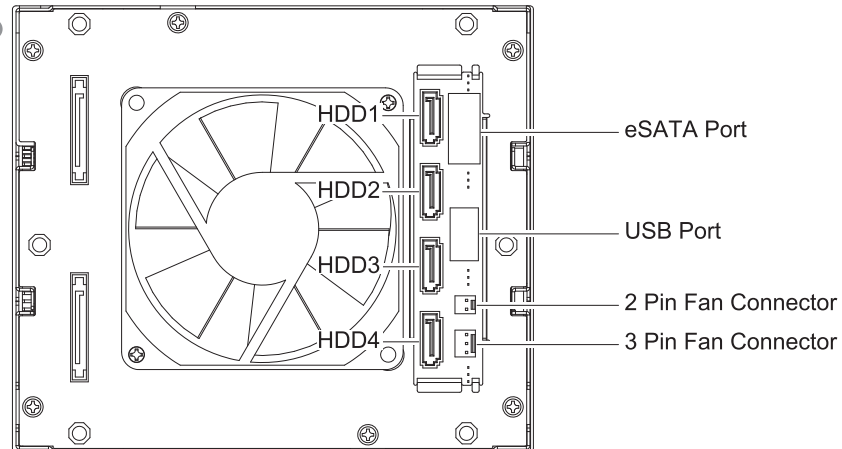
HDD4
POWER BUTTON
POWER / HDD ACCESS LED INDICATOR



- The LED indicator illuminates in blue after the hard drive is inserted into the drive bay, it will remain off if the drive bay is empty.
- The LED indicator will flash blue during drive access.
- Fan speed can be set to High, Low, and Auto. In Auto mode, fan RPM automatically adjusts according to the temperature of the drives, creating more or less airflow to meet the demands of the system.
- The USB 2.0 and eSATA port on the front of the panel is made for external device usage. In order to make them function, please make sure to connect the USB 2.0 and the SATA connector (for front eSATA port) on the rear to the motherboard.
- The fan will be activated after the hard drive is inserted.

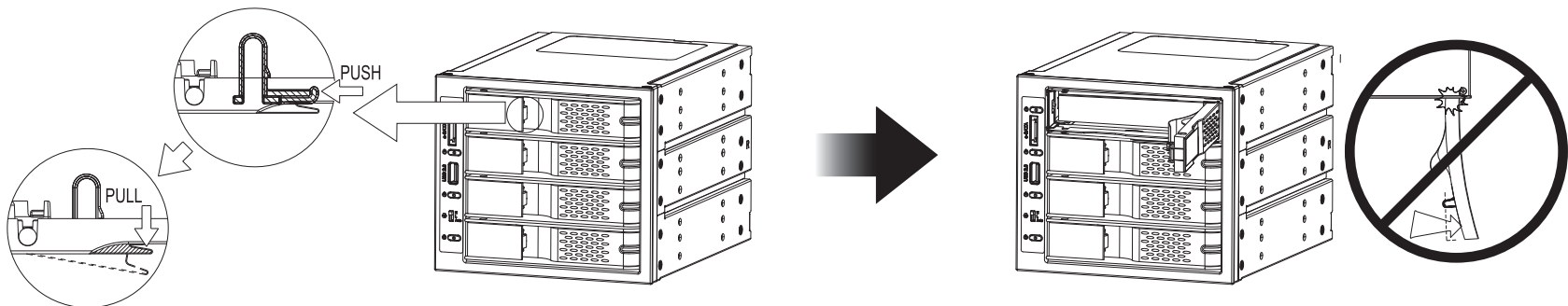
3 Rear Panel Information

- The device is equipped with a 2Pin and a 3Pin connector for the fan power. Please select the compatible one for the fan replacement.
- Both 15-Pin power connections must be used for proper operation of the enclosure.

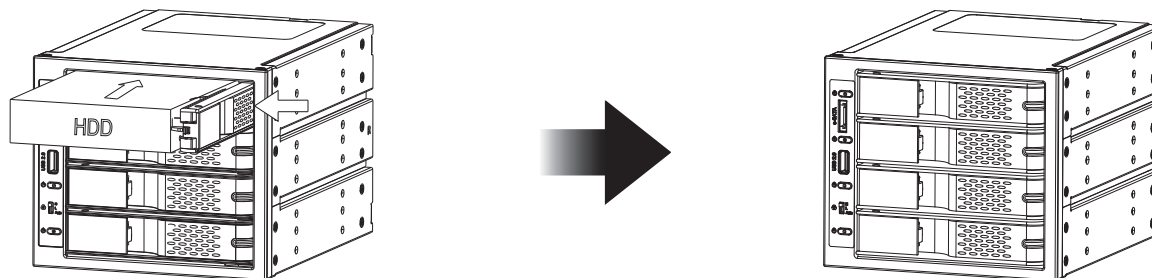


4 Instructions

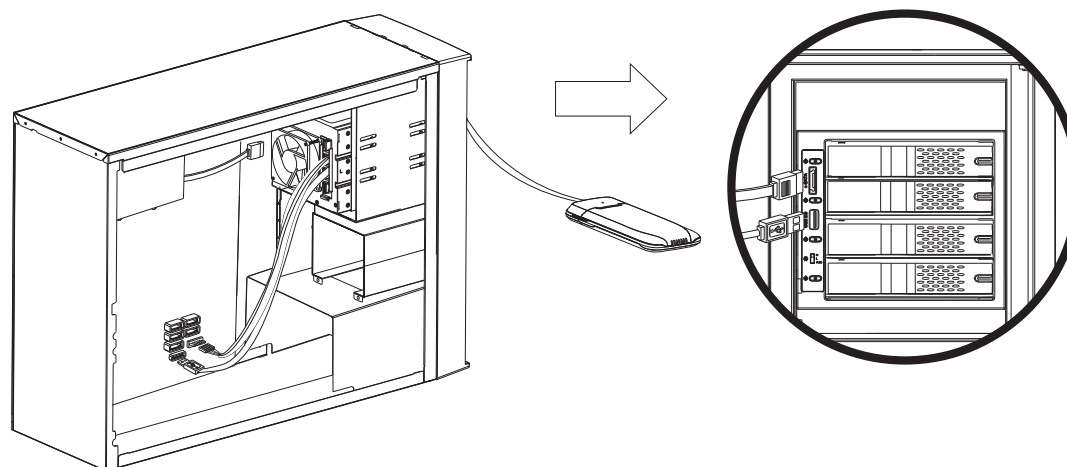
<A> Push the release button and pull the handle to open the front panel.



 Pull the handle to open the front door, and then insert the SATA hard drive in proper position. Gently push the hard drive in to the slot, and then close the front door.

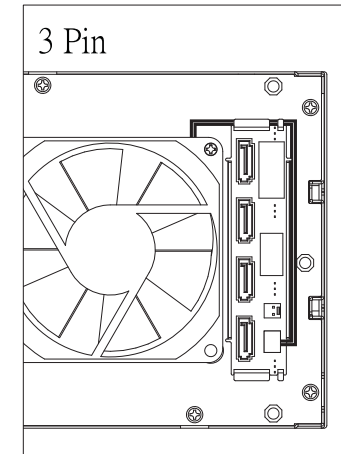
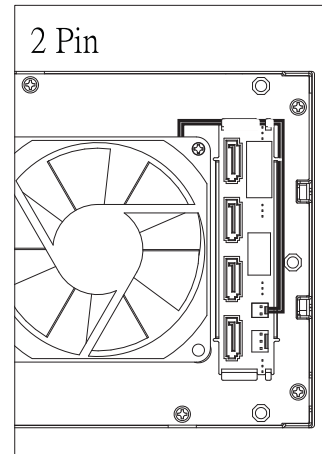
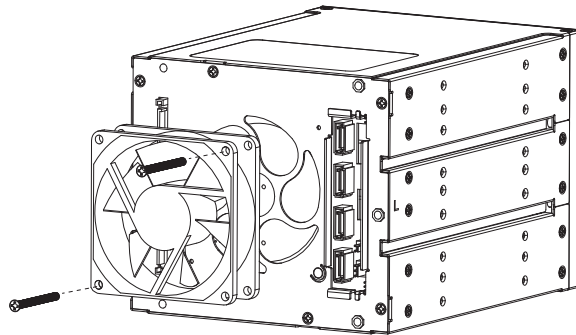


<C> The USB 2.0 and eSATA port on the front of the panel is made for external device usage. In order to make them function, please make sure to connect the USB 2.0 and the SATA connector (for front eSATA port) on the rear to the motherboard.



<D> Fan Replacement Information

- To purchase a replacement fan, please make sure the fan connector is compatible to the 2PIN or 3PIN connections of the device.



Excess fan cable routing

Note:

1. ICY DOCK reserves the right to change unrelated technical specifications and is subject to change without prior notice.
2. ICY DOCK will not be liable for any software, hardware, or data stored within or interfacing with ICY DOCK products which results in damage or malfunction. ICY DOCK will only be responsible for repairs and services of ICY DOCK products.
3. Due to different drive specifications for the drive access signal, some drives may not support the access LED. If the LED does not function, but the user can read and write to the drive, it falls under this category. If the LED does not function, and the drive cannot be read or written to, please contact us for troubleshooting.
4. To utilize the hot swap function, the host must also support hot swap. To check if your host supports hot swap, please refer to the motherboard or controller card specifications and user manual.
5. For further questions or concerns about ICY DOCK products, please visit us at www.icydock.com