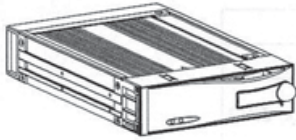


MB123UK

User Manual

Package Contents

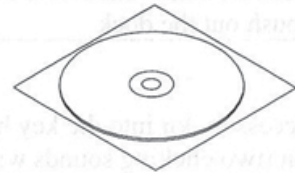
Mobile Rack Kit



Manual



USB2.0 Driver Disc



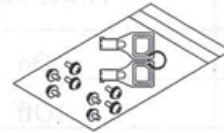
Included in USB2.0 version

USB2.0 connection cable

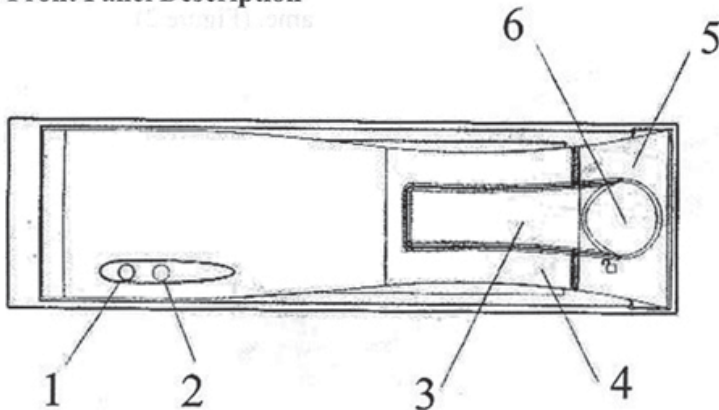


Accessory Kit

Screws: 6#-32 4PCS. M3X6 4PCS. Key 2PCS.



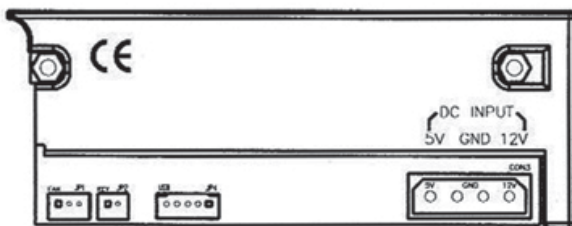
1. Front Panel Description



1. Hard Drive Data Read/Write Light Indicator
2. Mobile rack kit power Indicator
3. Lever
4. Handle
5. Module
6. Hidden Key Lock

2. Back Panel Description

2-1. USB 2.0 Interface



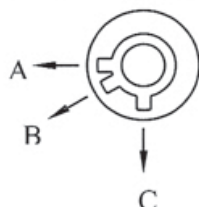
USB 5P

3. Function Setup and Operation

3-1 Light Indicator Annotations:

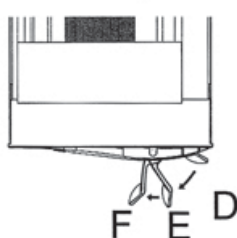
Item	Light Indicator
Dock power	Green
Hard drive data read/write	Amber (flashes during data read/write)

3-2 Protective Lock



Stage \ Status	Power Status	Dock Status
A	On	Locked (non-removable)
B	Off	Locked (non-removable)
C	Off	Unlocked (removable)

4. Three-Stage Handle Description



Stage \ Status	Function Description
D	Handle in closed status; Main function to protect lock head
E	Handle in semi-open status; main function to enable rotating lock and allow dock inserted fully
F	Handle in fully open status; main function to automatically push out the dock

5. Hard Drive Installation

Step 1

1-1. Pull outward the lever to position E. Insert the key provided in accessory kit into the key hole and turn it counterclockwise to C position. Then pull the lever to F position (two clicking sounds will be heard to indicate complete ejection of handle). The handle will push out the dock. (Figure 1) (Please refer to **3-2 Protective Lock**)

1-2. Pull the handle outwards and the cartridge will depart from the cartridge frame. (Figure 2)

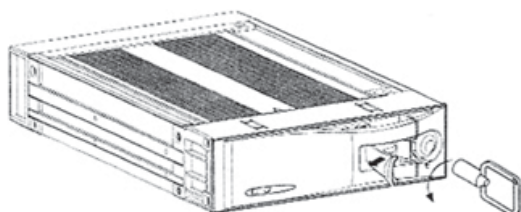


Fig. 1

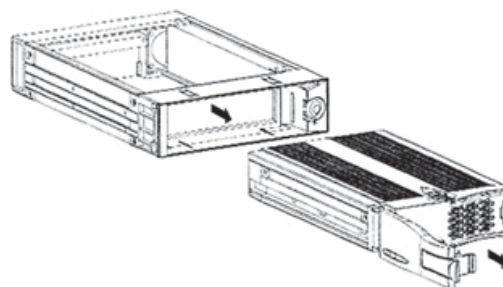


Fig. 2

Step 2

2-1. Press "PUSH" of the top cover and slide it back to remove from the cartridge. (Figure 3)

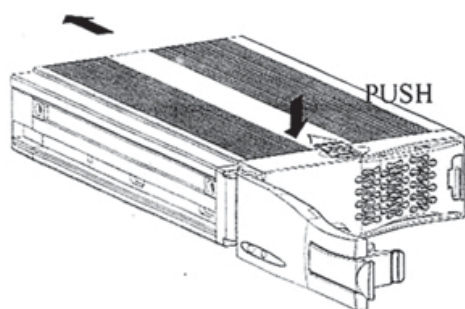


Fig. 3

Step 3

3-1. In order, insert DC power cord and the IDE cable to the back of the hard drive. (Figure 4)

3-2. Carefully place hard drive in the cartridge frame. Use four 6#32 screws provided in the accessory kit to secure the hard drive. (Figure 5)

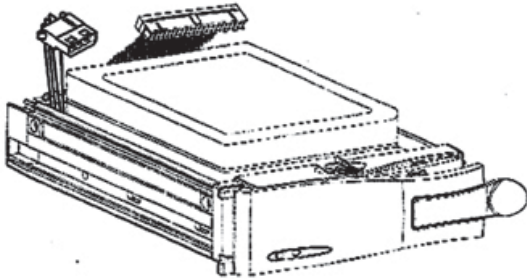


Fig. 4

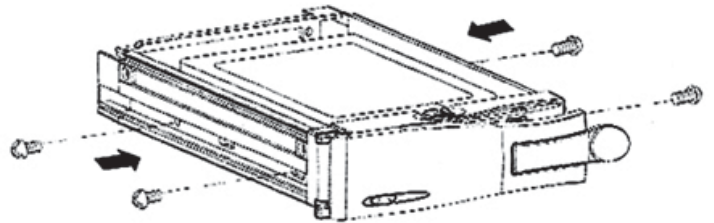


Fig. 5

4-1. Slide the top cover from rear to front of the cartridge until it gets locked at PUSH position. (Figure 6)

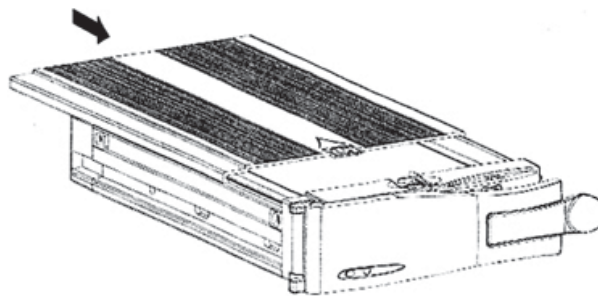


Fig. 6

Step 5

5-1. Slide the cartridge into cartridge frame. (Figure 7)

5-2. Position the lever to the E position. Turn the handle inward to tighten the cartridge towards cartridge frame. (A clicking sound indicates the handle is at the proper position and secured.) (Figure 8)

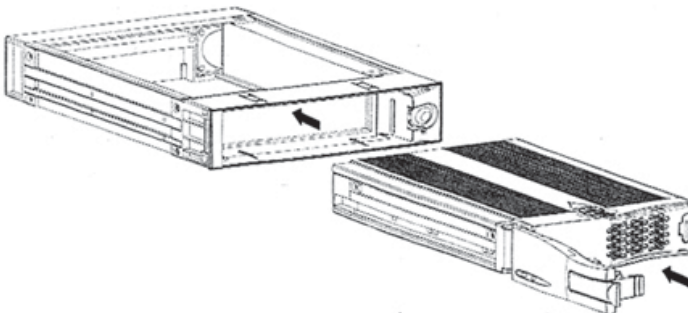


Fig. 7

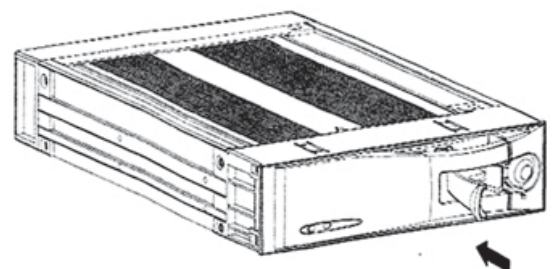


Fig. 8

Step 3

3-1. In order, insert DC power cord and the IDE cable to the back of the hard drive. (Figure 4)

3-2. Carefully place hard drive in the cartridge frame. Use four 6#32 screws provided in the accessory kit to secure the hard drive. (Figure 5)

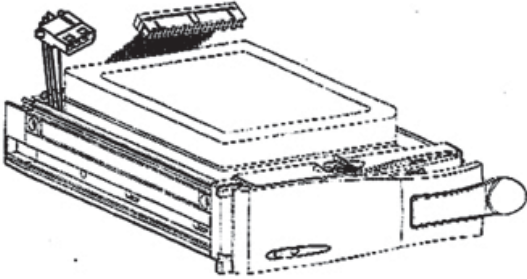


Fig. 4

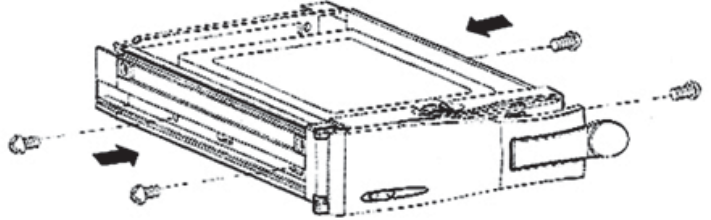


Fig. 5

Step 4

4-1. Slide the top cover from rear to front of the cartridge until it gets locked at PUSH position. (Figure 6)

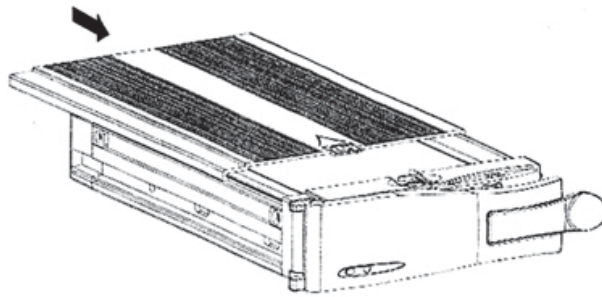


Fig. 6

Step 5

5-1. Slide the cartridge into cartridge frame. (Figure 7)

5-2. Position the lever to the E position. Turn the handle inward to tighten the cartridge towards cartridge frame. (A clicking sound indicates the handle is at the proper position and secured.) (Figure 8)

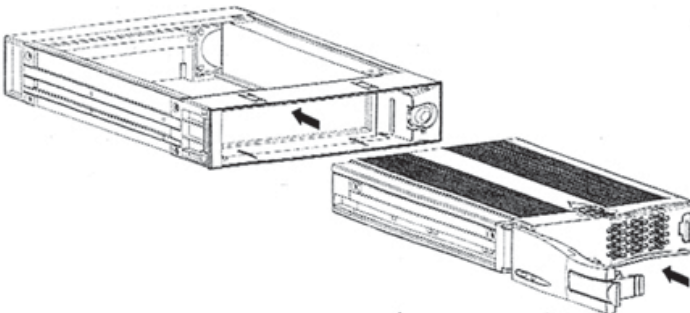


Fig. 7

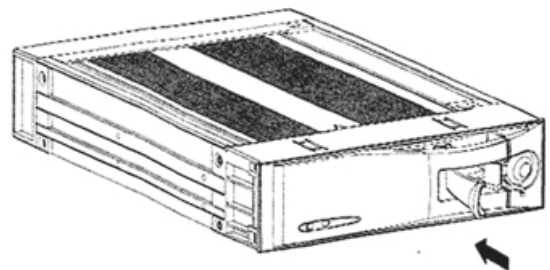


Fig. 8