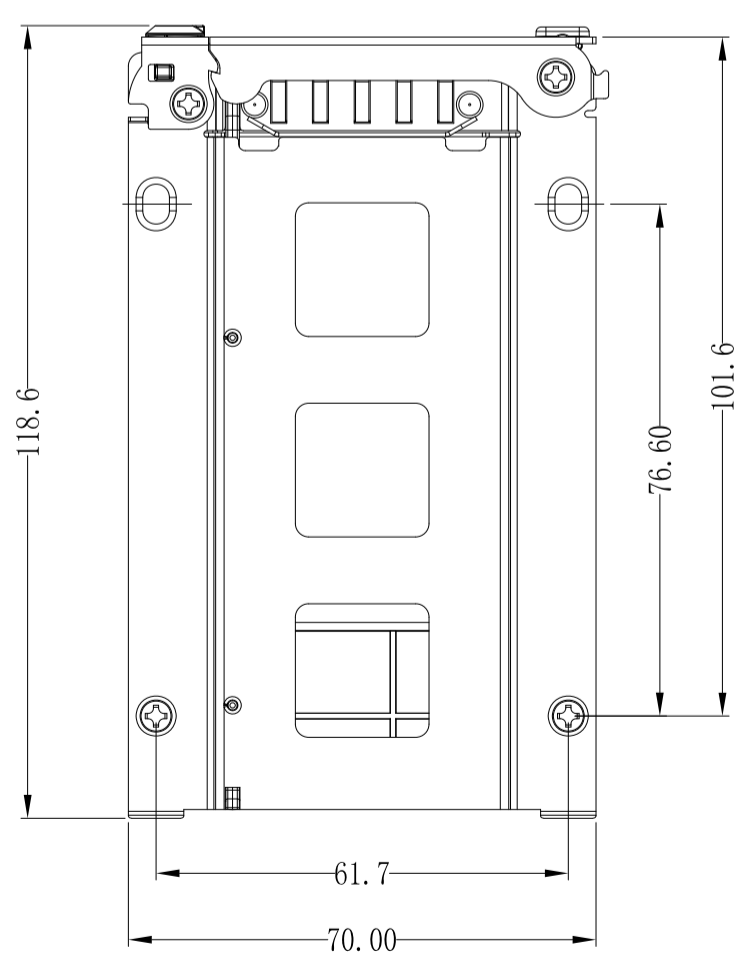
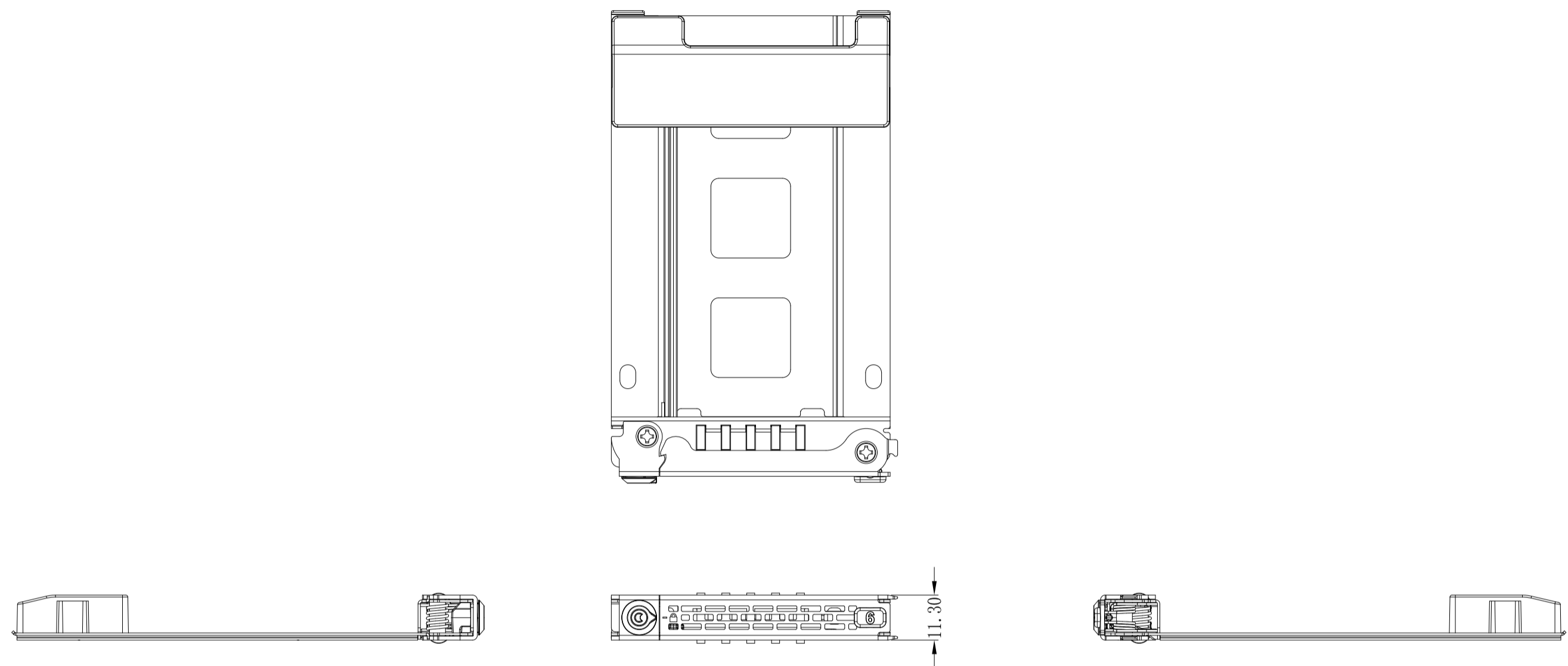


MARK	REVISED CONTENT	DATE	APPROVED
------	-----------------	------	----------



APPLIED MODEL

CREMAX TECH CO., LTD.				
TITLE	MB996TK-B	MATERIAL	TOLERANCE	
DRAWN	庞朝誉	DATE	2014/06/23	FINISHED
CHECHED		DATE		PART NO.
APPROVED		DATE		DWG. NO.
				SCALE
				FREE
				UNIT
				mm
				REV.
				1.0
				SHEET 1 OF 1