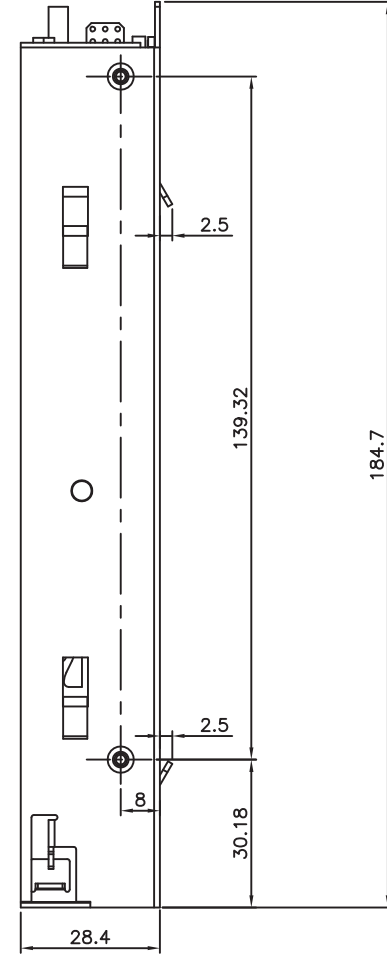
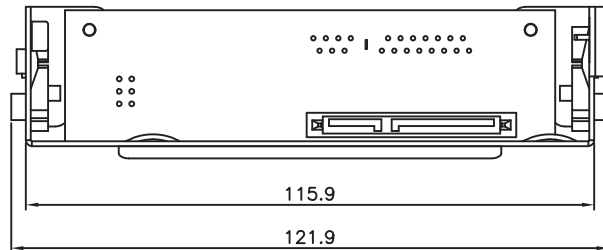
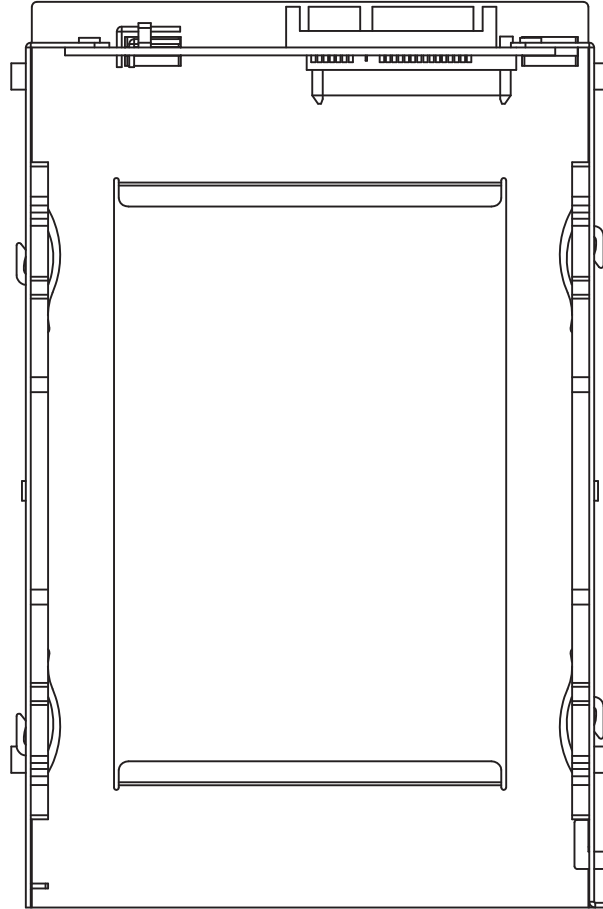
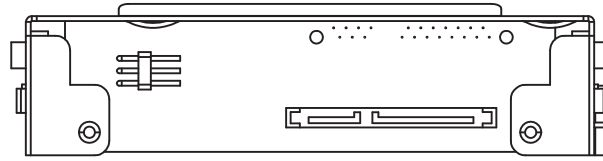
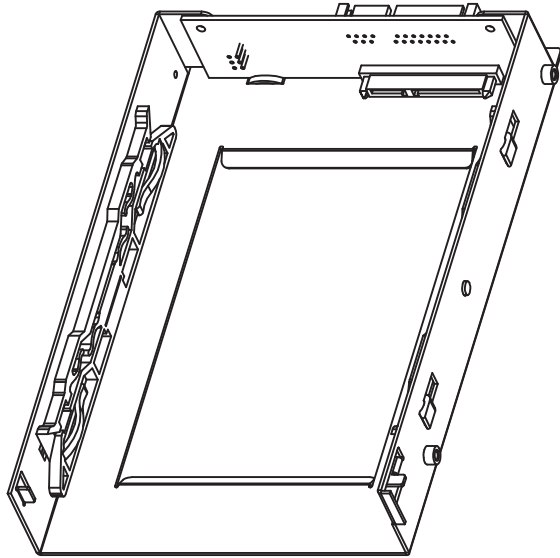


# IP558SP Receiving Frame

## Engineering Graphic

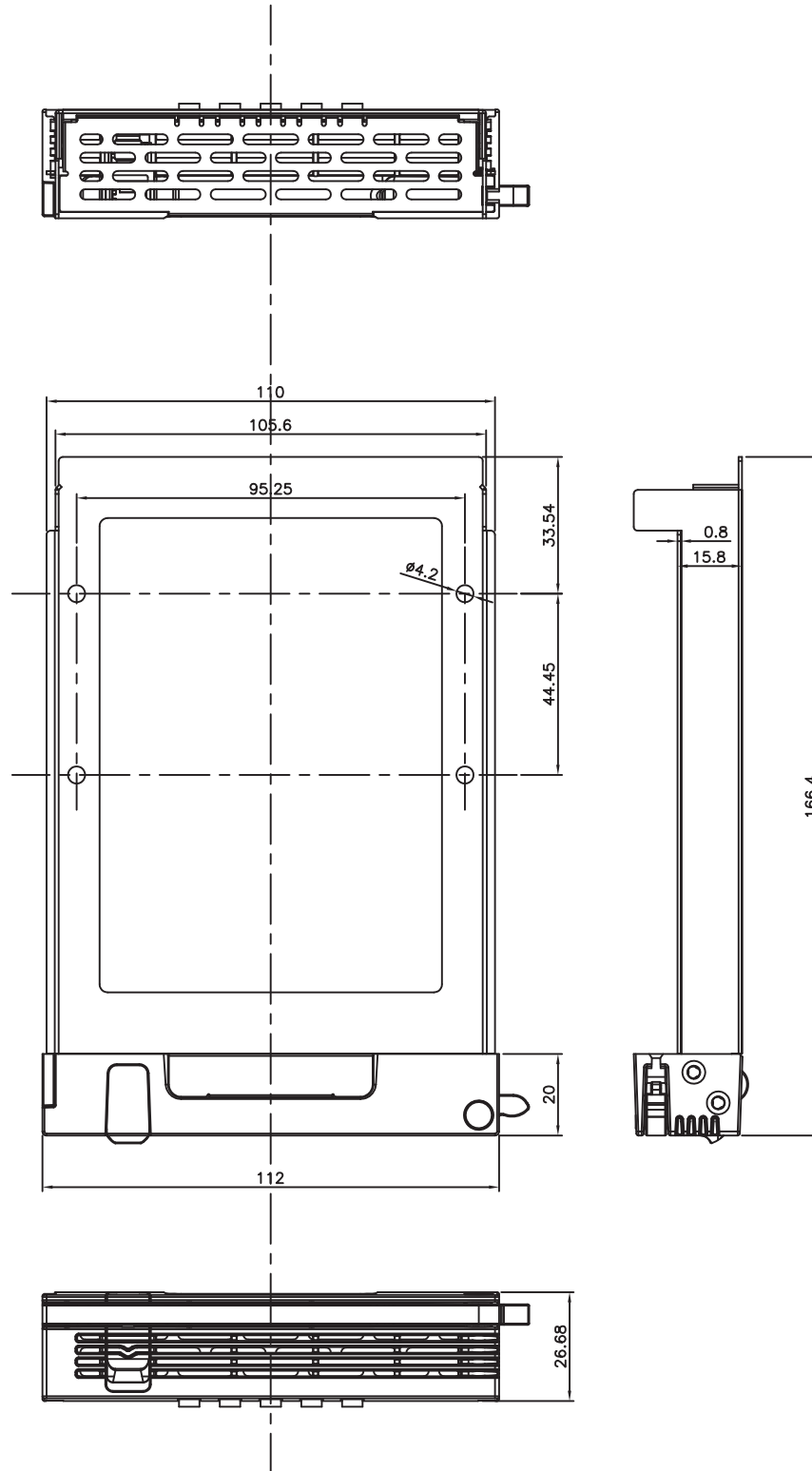
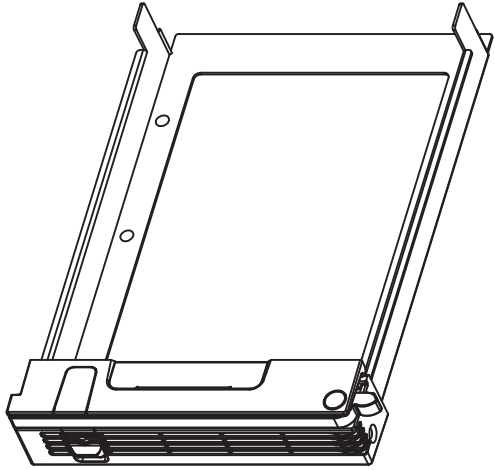


Unit: mm



# IP558SP Drive Tray

Engineering Graphic



Unit: mm

