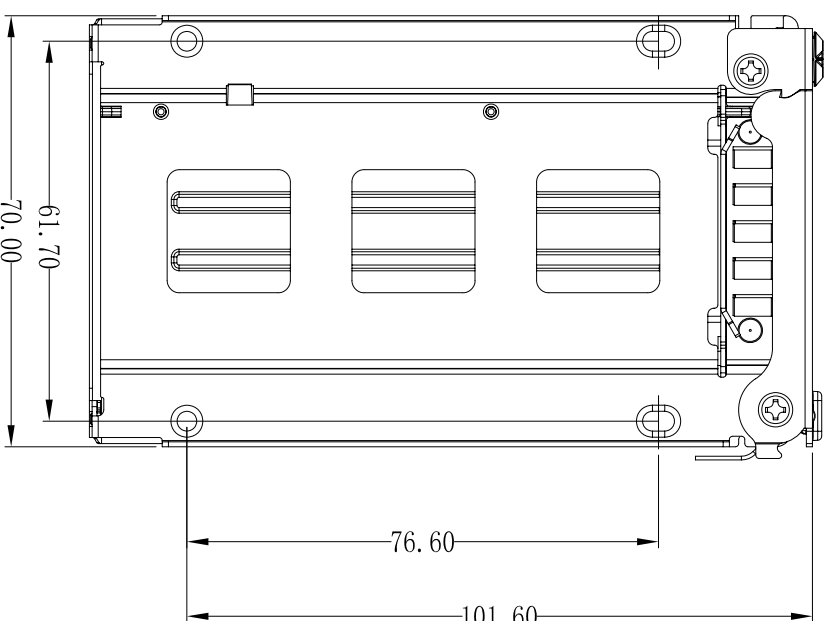
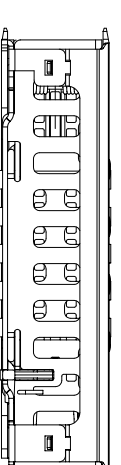
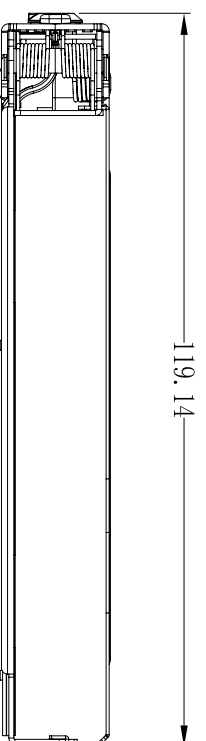
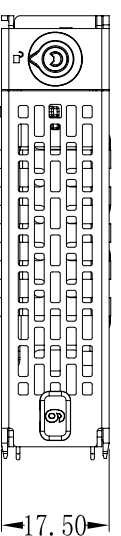
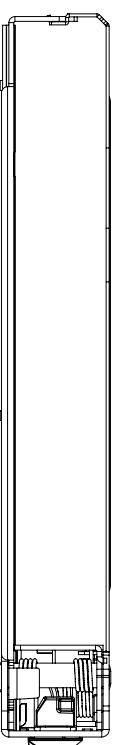
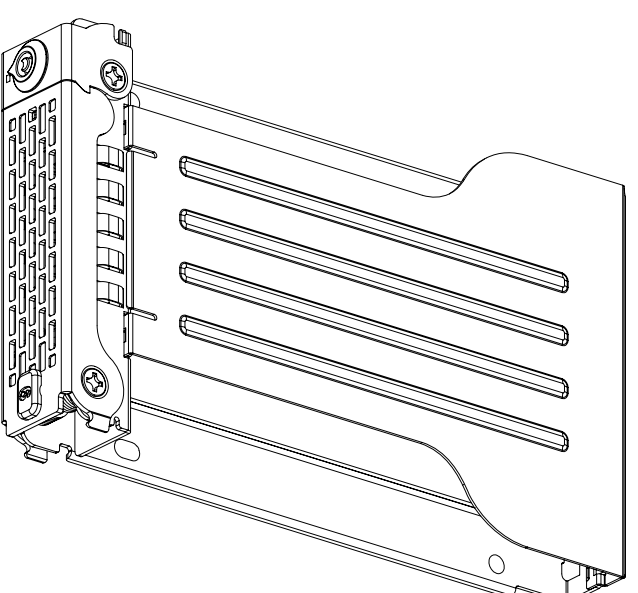
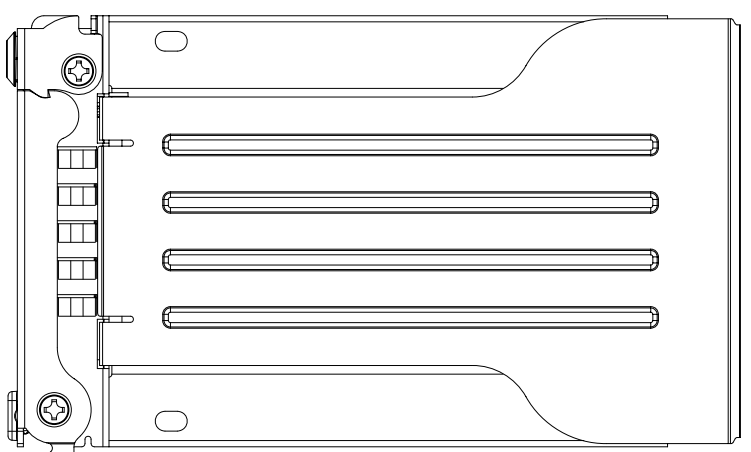


MARK	REVISED CONTENT	DATE	APPROVED
------	-----------------	------	----------



CREMAX TECH CO., LTD.

TITLE	MB994TK-B		TOLERANCE	±0.20 X X.X X.XX X°.X° ±0.5°
DRAWN	DATE	FINISHED	SCALE	FREE
CHECKED	2014/06/23	PART NO.	UNIT	REV.
APPROVED	DATE	DWG. NO.	mm	1.0
			SHEET	1 OF 1

APPLIED MODEL